

MAMMUT Single-Shaft Hammer Crusher

Uncomplicated and compact in design, rugged in its construction, extremely powerful and completely safe in operation and with a minimum maintenance requirement:

This Single-Shaft Hammer Crusher is the outcome of 50 years experience in the practical development of crushing equipment.

The extremely high moment of inertia enables the crusher to handle the bulkiest material (i.e. up to 2500 mm edge length) in a single process, reducing it to less than 25 mm grain size. Throughput rates of more than 2000 tonnes per hour can be achieved.

Day in, day out the MAMMUT Crusher is proving itself in the very toughest conditions the world over. It will handle limestone, marl, gypsum, dolomite, ore, coal, pit waste, mineral salts and other similar raw materials and has, over the years, secured for itself a firm place in the cement, limestone and gypsum industry.



Fig. 1



Fig. 2

Fig. 1 MAMMUT-Crusher

Fig. 2 stationary crushing installation MAMMUT-Crusher

Fig. 3 MAMMUT-Crusher

Hilfsvorrichtungen

The MAMMUT-Crusher is fitted with a number of auxiliary devices which ensure that the main wearing parts can be removed and refitted very speedily and with minimum manpower.

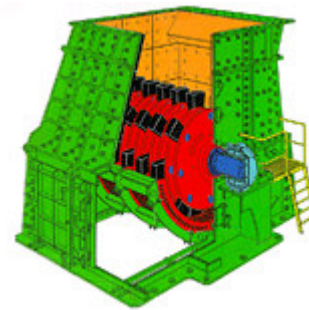
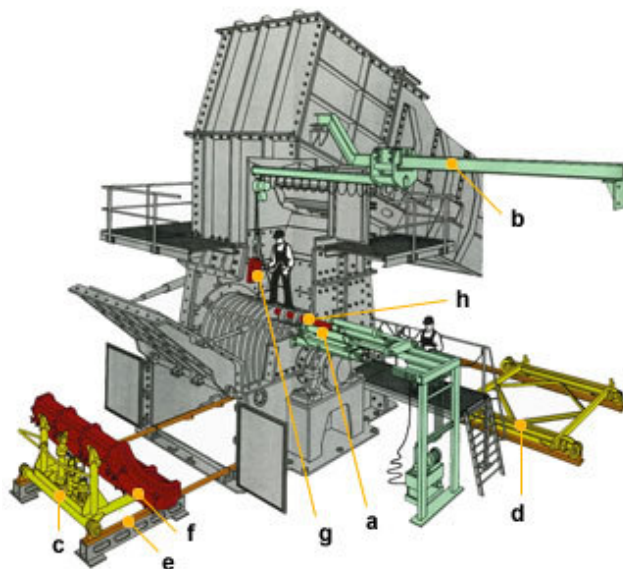


Fig. 3



- | | | | |
|---|-------------------------------|---|---------------------------|
| a | Hammer axle extraction device | e | Guide rail |
| b | Hammer changing device | f | Grate basket half section |
| c | Grate basket trolley | g | Hammer |
| d | Moving frame assembly | h | Hammer axle |